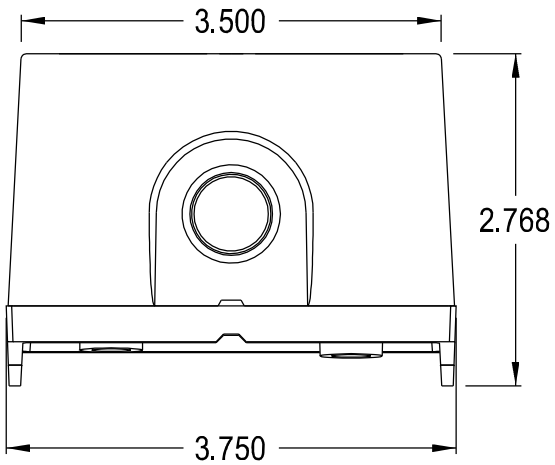


FS8171T
DUTCH LAP

ISOMETRIC VIEW OF THE SIDING
PROFILE PLATE FOR FS8161T BOX



SECTION VIEW OF
FS8171T PROFILE
DUTCH LAP